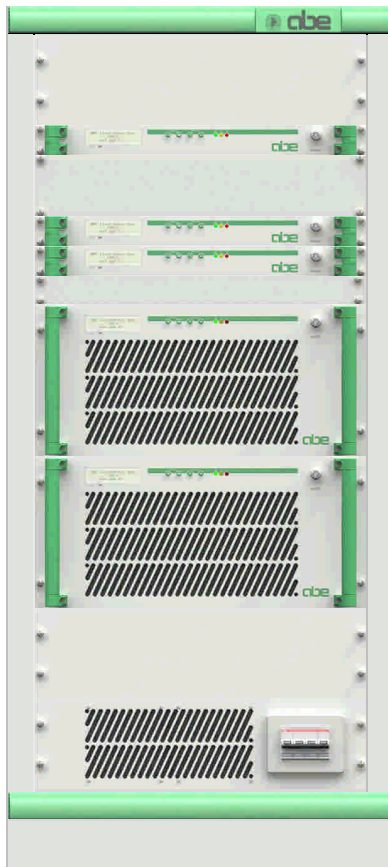




## 2KW VHF DIGITAL TV TRANSMITTER



Output filter

System Control & Automatic Changeover

DTX - driver "A"

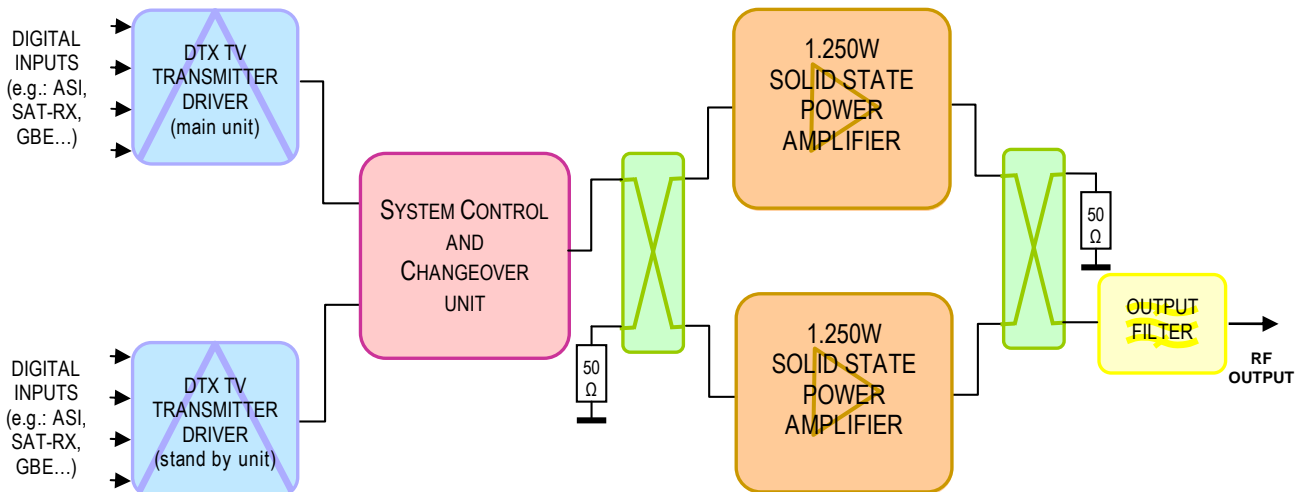
DTX - driver "B (standby unit)

Amplifier 1.250W "A"

Amplifier 1.250W "B"

Mains switch

## DTX 2000/V-DD (DUAL DRIVER) BLOCK DIAGRAM



### DTX 2000/V-DD Standard specification

#### GENERAL SPECIFICATIONS

Output frequency range:	VHF 175 to 230MHz in 1Hz steps
Output Power:	2000Wavg (tol. +0/-1dB)
Output connector:	Flange 1+5/8"
MER:	35dB (typ.; min. $\geq$ 32dB)
Shoulders attenuation (before output filter):	38dB (typ.; min. $\geq$ 36dB)
Housing:	Rack Cabinet 19" 25U (depth 870mm)
Power consumption:	$\leq$ 16KVA (typ. ; 19KVA max)
Power supply:	400 Vac $\pm$ 10% 50/60Hz three phases (different power supplies and tolerances avail-able on request)

#### Note:

For standard specifications, and general description, please refer to the brochure DTX-TX series.  
For TV transmitter driver technical specifications please refer to the brochure DTX 50 – 100/U except for output power and housing.

All specifications contained in this document may be changed without prior notice.