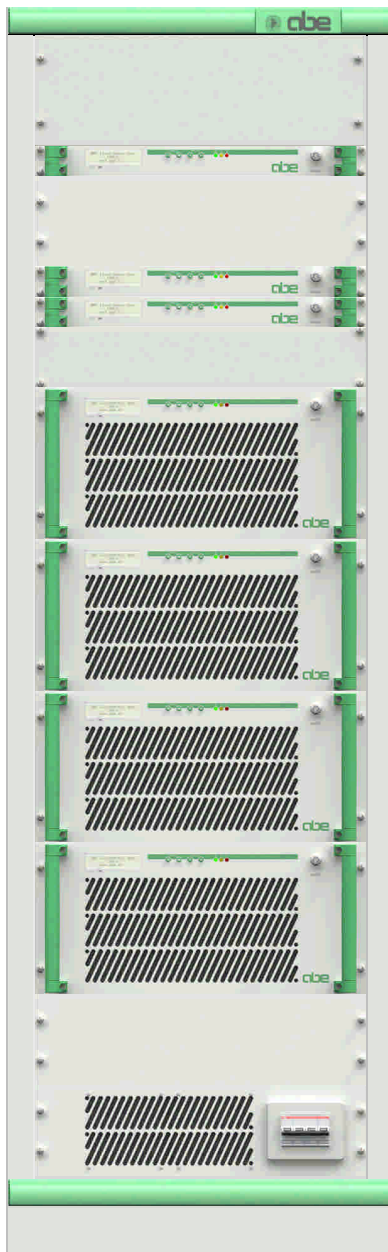




5KW UHF DIGITAL TV TRANSMITTER



Output filter

System Control & Automatic Changeover

TX - driver "A"
TX - driver "B (standby unit)

Amplifier 1.250W "A"

Amplifier 1.250W "B"

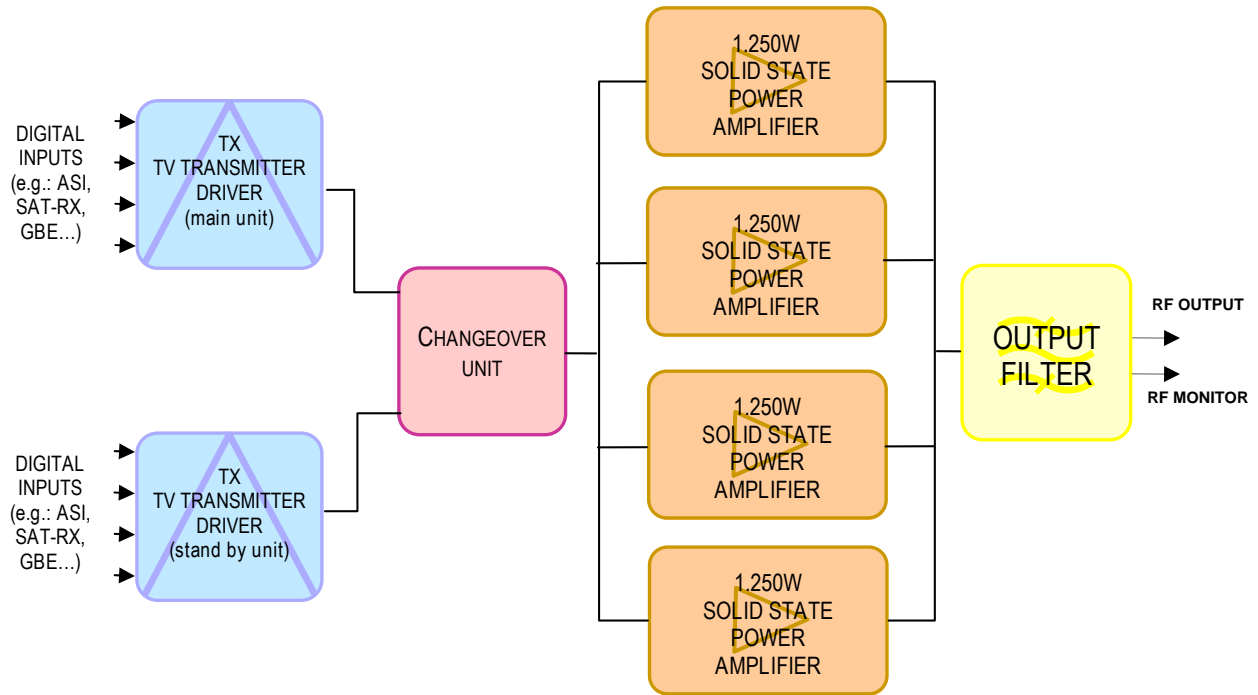
Amplifier 1.250W "C"

Amplifier 1.250W "D"

Mains switch



DTX 5000/U-DD (DUAL DRIVER) BLOCK DIAGRAM



DTX 5000/U Standard specification

GENERAL SPECIFICATIONS

Output frequency range:	UHF 470 to 860MHz in 1Hz steps
Output Power (before output filter):	5000Wavg (tol. +/-1dB)
Output connector:	Flange 3+1/8"
MER:	35dB (typ.; min. \geq 32dB)
Shoulders attenuation (before output filter):	38dB (typ.; min. \geq 36dB)
Housing:	Rack Cabinet 19" 38U (depth 1000mm)
Power consumption:	\leq 33KVA (typ. ; 40KVA max)
Power supply:	400 Vac \pm 10% 50/60Hz three phases (different power supplies and tolerances available on request)

Note:

For standard specifications, and general description, please refer to the brochure DTX-TX series.

For TV transmitter driver technical specifications please refer to the brochure DTX 50 – 100/U except for output power and housing.

All specifications contained in this document may be changed without prior notice.