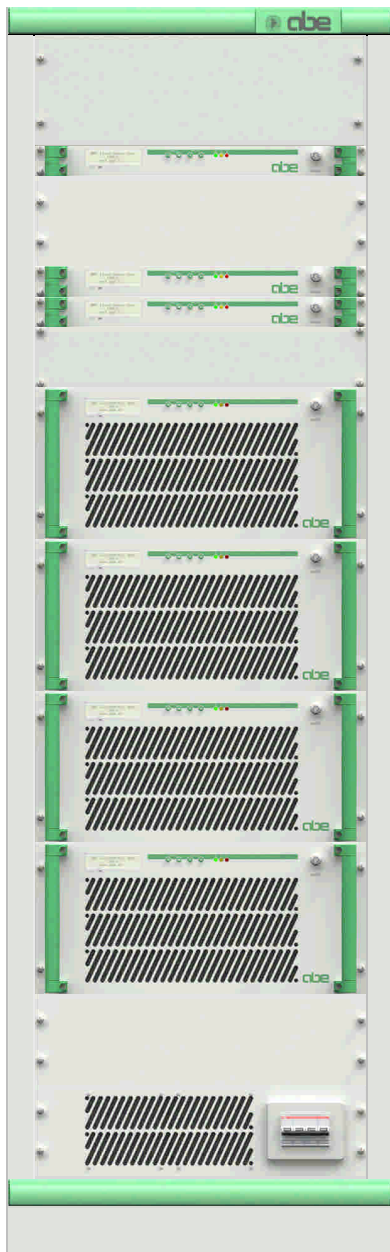




10KW ANALOGUE (DIGITAL READY) VHF TV TRANSMITTER



Output filter

System Control & Automatic Changeover

TX - driver "A"
TX - driver "B (standby unit)

Amplifier 2.7KW "A"

Amplifier 2.7KW "B"

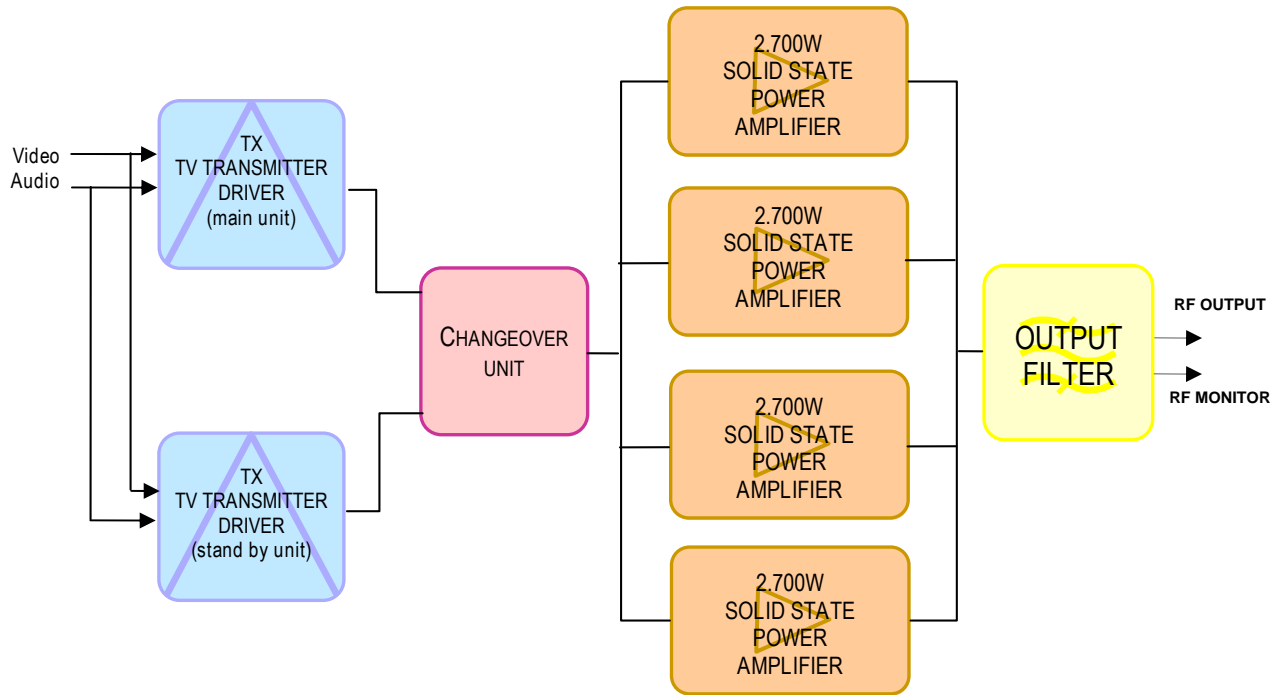
Amplifier 2.7KW "C"

Amplifier 2.7KW "D"

Mains switch



TX 10000/V-DD (DUAL DRIVER) BLOCK DIAGRAM



TX 10000/V Standard specification

GENERAL SPECIFICATIONS

Output frequency range:	VHF 175 to 230MHz
Output Power:	10,000W p.s. (tol. +0/-1dB)
Output connector:	3+1/8" FL (on request different connector available)
Housing:	Rack Cabinet 19" 38U (depth 1000mm.)
Power consumption:	≤ 24KVA (typ. ; 28KVA max)
Power supply:	400Vac three phases Vac ±10% (different power supplies and tolerances available on request)

Note:

For standard specifications, and general description, please refer to the brochure DTX-TX series.

All specifications contained in this document may be changed without prior notice.