



2KW ANALOGUE (DIGITAL READY) VHF TV TRANSMITTER



Output filter

System Control & Automatic Changeover

TX - driver "A"

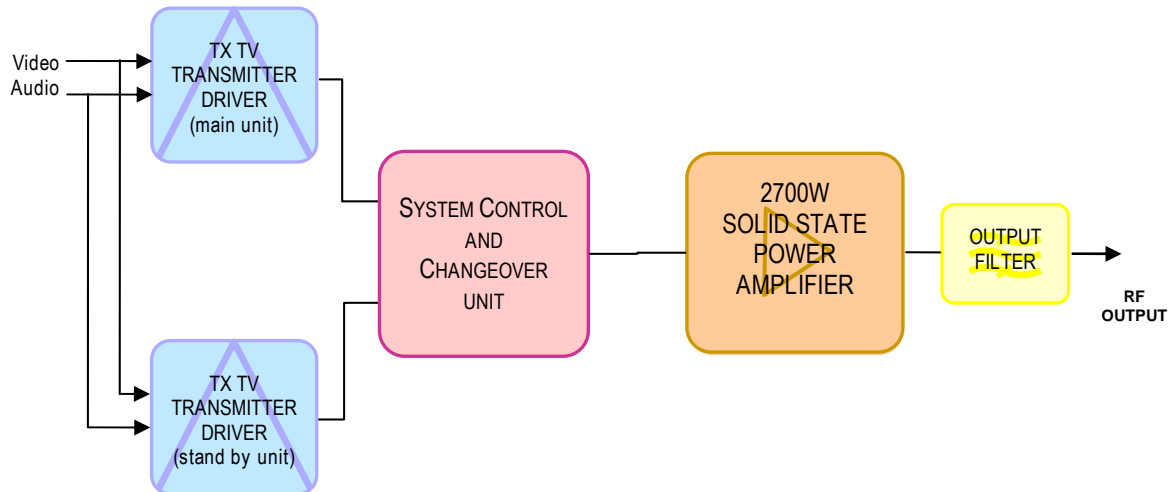
TX - driver "B (standby unit)

Amplifier 2,7KW

Mains switch



TX 2000/V-DD (DUAL DRIVER) BLOCK DIAGRAM



TX 2000/V-dd Standard specification

GENERAL SPECIFICATIONS

Output frequency range:	VHF 175 to 230MHz
Output Power:	2,000W p.s. (tol. +0/-1dB)
Output connector:	7/8" FL (on request different connector available)
Housing:	Rack Cabinet 19" 25U (depth 870mm.)
Power consumption:	≤ 5.5KVA (typ. ; 6.5KVA max)
Power supply:	400Vac three phases Vac ±10% (different power supplies and tolerances available on request)

Note:

For standard specifications, and general description, please refer to the brochure DTX - TX series.

All specifications contained in this document may be changed without prior notice.