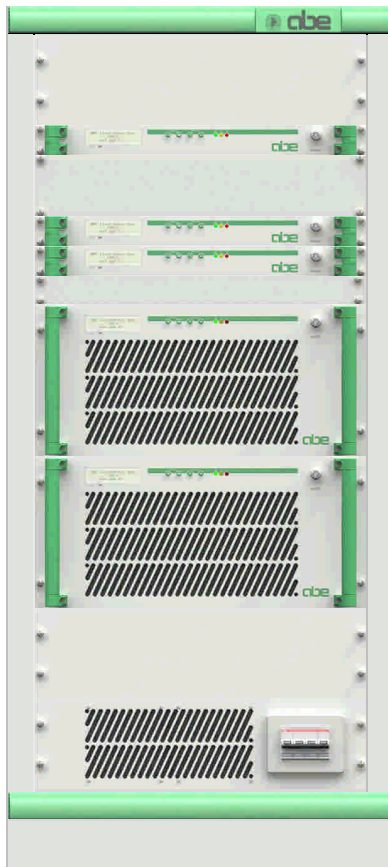




5KW ANALOGUE (DIGITAL READY) UHF TV TRANSMITTER



Output filter

System Control & Automatic Changeover

TX - driver "A"

TX - driver "B (standby unit)

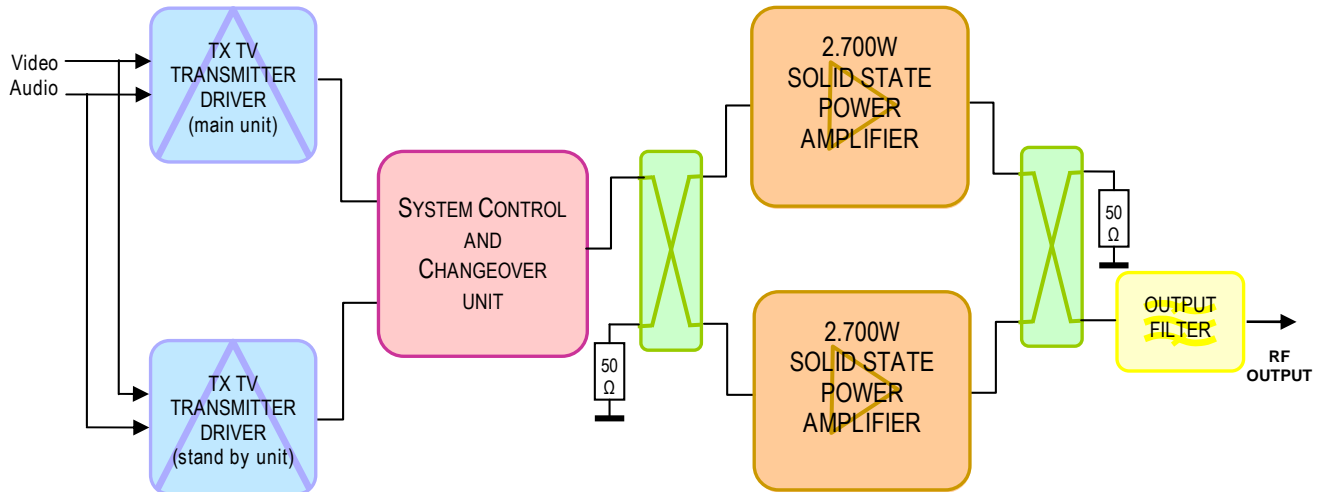
Amplifier 2.7KW "A"

Amplifier 2.7KW "B"

Mains switch



TX 5000/U-DD (DUAL DRIVER) BLOCK DIAGRAM



TX 5000/U Standard specification

GENERAL SPECIFICATIONS

Output frequency range:	UHF 470 to 860MHz
Output Power:	5,000W p.s. (tol. +0/-1dB)
Output connector:	1+5/8" FL (on request different connector available)
Housing:	Rack Cabinet 19" 25U (depth 870mm.)
Power consumption:	≤ 12KVA (typ. ; 14KVA max)
Power supply:	400Vac three phases Vac ±10% (different power supplies and tolerances available on request)

Note:

For standard specifications, and general description, please refer to the brochure DTX - TX series.

All specifications contained in this document may be changed without prior notice.