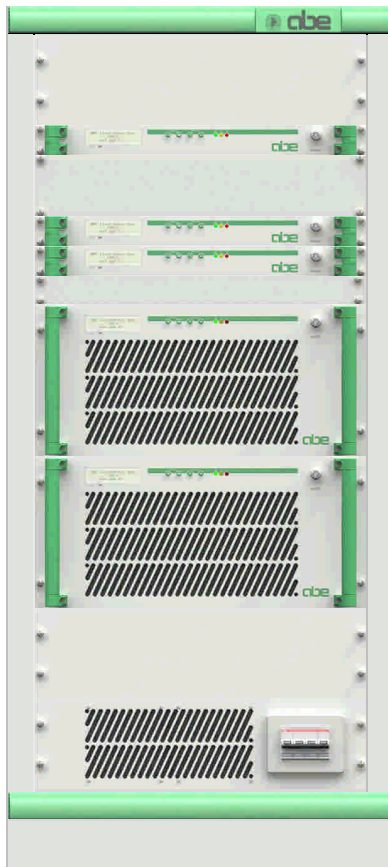




## 2KW ANALOGUE (DIGITAL READY) UHF TV TRANSMITTER



Output filter

System Control & Automatic Changeover

TX - driver "A"

TX - driver "B (standby unit)

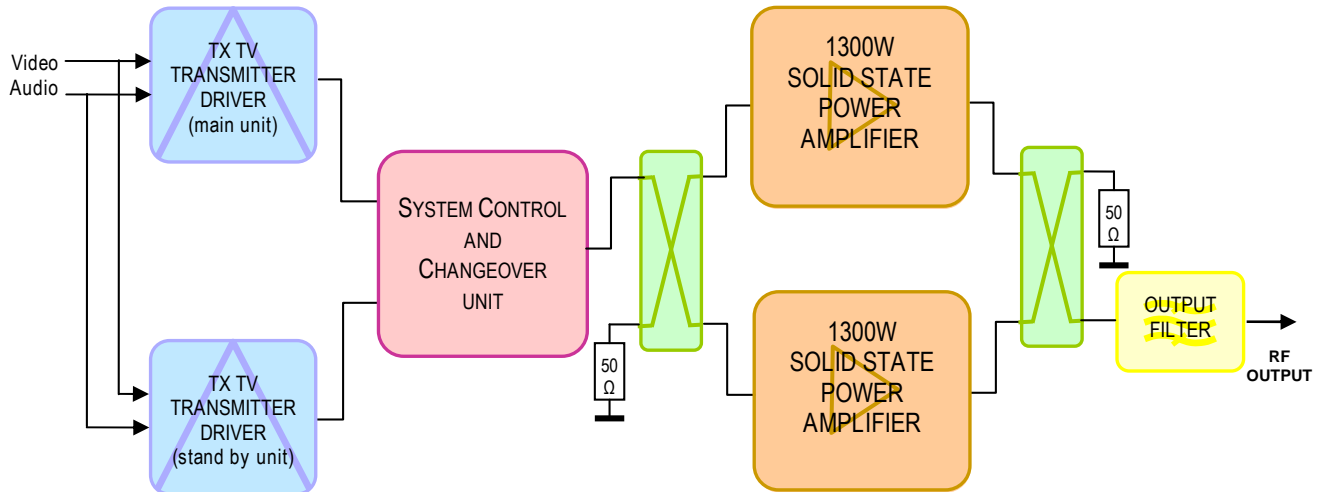
Amplifier 1.3KW "A"

Amplifier 1.3KW "B"

Mains switch



## TX 2000/U-DA-DD (DUAL DRIVER/DUAL AMPLIFIER) BLOCK DIAGRAM



### TX 2000/U-DA-DD Standard specification

#### GENERAL SPECIFICATIONS

Output frequency range:	UHF 470 to 860MHz
Output Power:	2,000W p.s. (tol. +0/-1dB)
Output connector:	7/8" FL (on request different connector available)
Housing:	Rack Cabinet 19" 25U (depth 870mm.)
Power consumption:	≤ 5.5KVA (typ. ; 6.5KVA max)
Power supply:	400Vac three phases Vac ±10% (different power supplies and tolerances available on request)

#### Note:

For standard specifications, and general description, please refer to the brochure DTX - TX series.

All specifications contained in this document may be changed without prior notice.