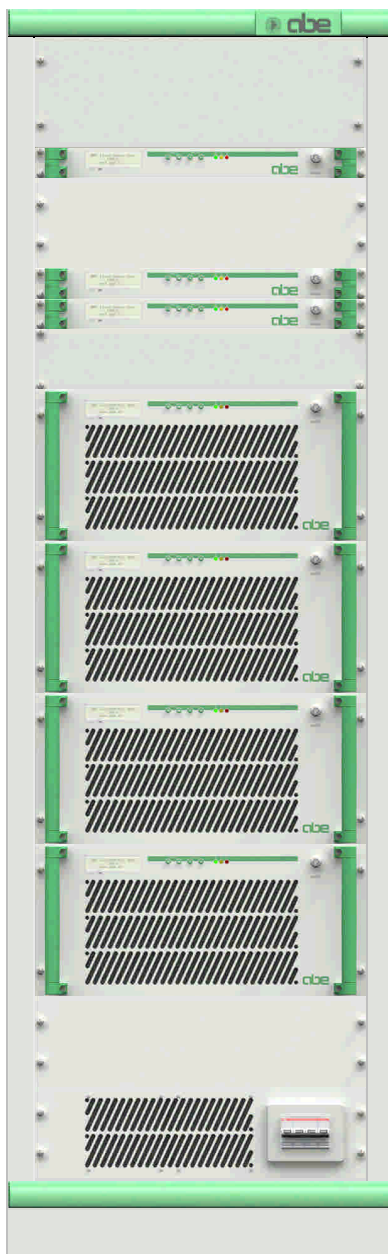




## 5KW VHF DIGITAL TV TRANSMITTER



Output filter

System Control & Automatic Changeover

TX - driver "A"  
TX - driver "B (standby unit)

Amplifier 1.250W "A"

Amplifier 1.250W "B"

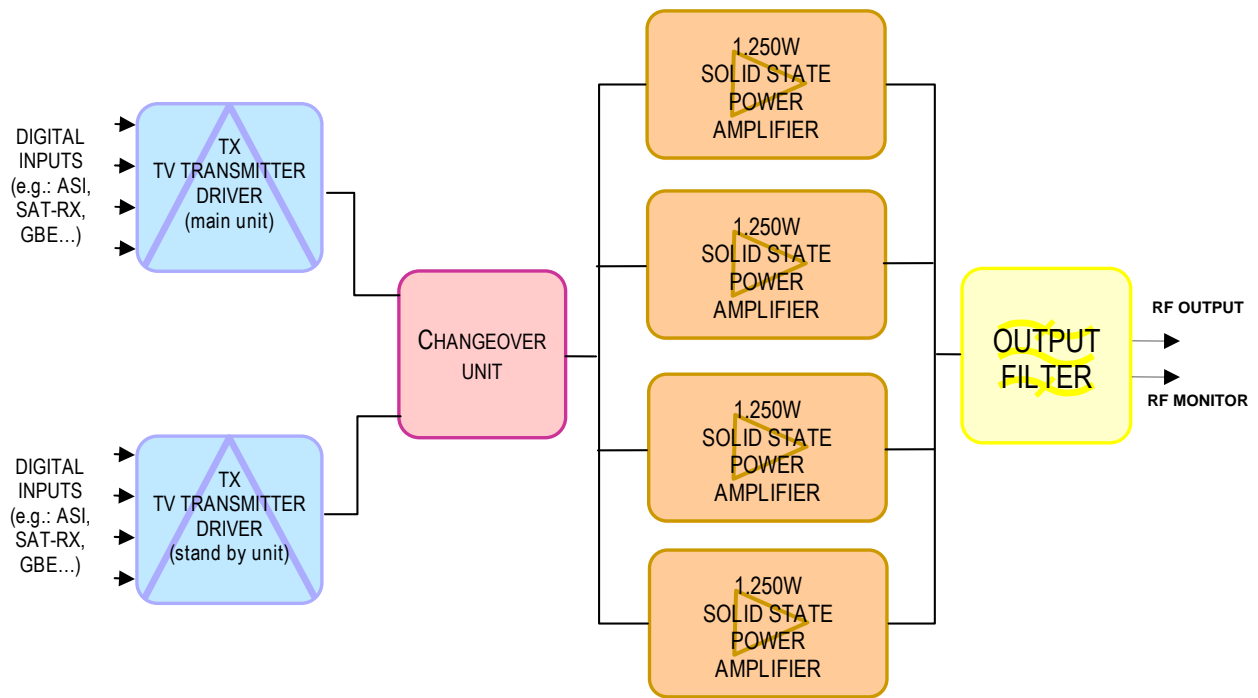
Amplifier 1.250W "C"

Amplifier 1.250W "D"

Mains switch



## DTX 5000/V-DD (DUAL DRIVER) BLOCK DIAGRAM



### DTX 5000/V Standard specification

#### GENERAL SPECIFICATIONS

Output frequency range:	VHF 175 to 230MHz in 1Hz steps
Output Power (before output filter):	5000Wavg (tol. +0/-1dB)
Output connector:	Flange 3+1/8"
MER:	35dB (typ.; min. $\geq$ 32dB)
Shoulders attenuation (before output filter):	38dB (typ.; min. $\geq$ 36dB)
Housing:	Rack Cabinet 19" 25U (depth 870mm.)
Power consumption:	$\leq$ 12KVA (typ. ; 14KVA max)
Power supply:	400Vac three phases Vac $\pm$ 10% (different power supplies and tolerances available on request)

#### Note:

For standard specifications, and general description, please refer to the brochure DTX-TX series.  
For TV transmitter driver technical specifications please refer to the brochure DTX 50 – 100/U except for output power and housing.

All specifications contained in this document may be changed without prior notice.