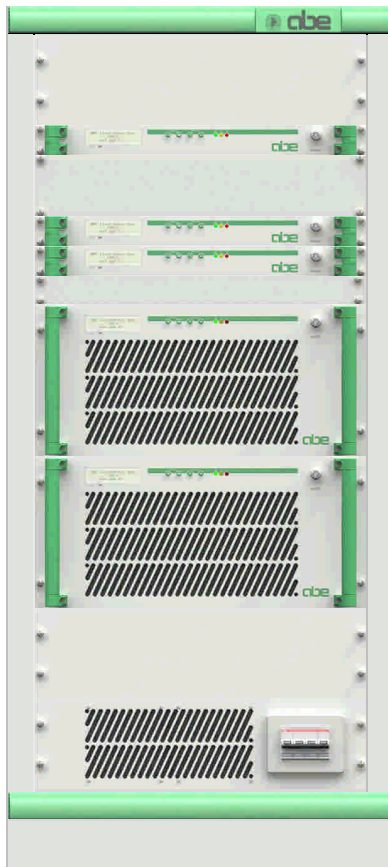




1KW VHF DIGITAL TV TRANSMITTER



Output filter

System Control & Automatic Changeover

DTX - driver "A"

DTX - driver "B (standby unit)

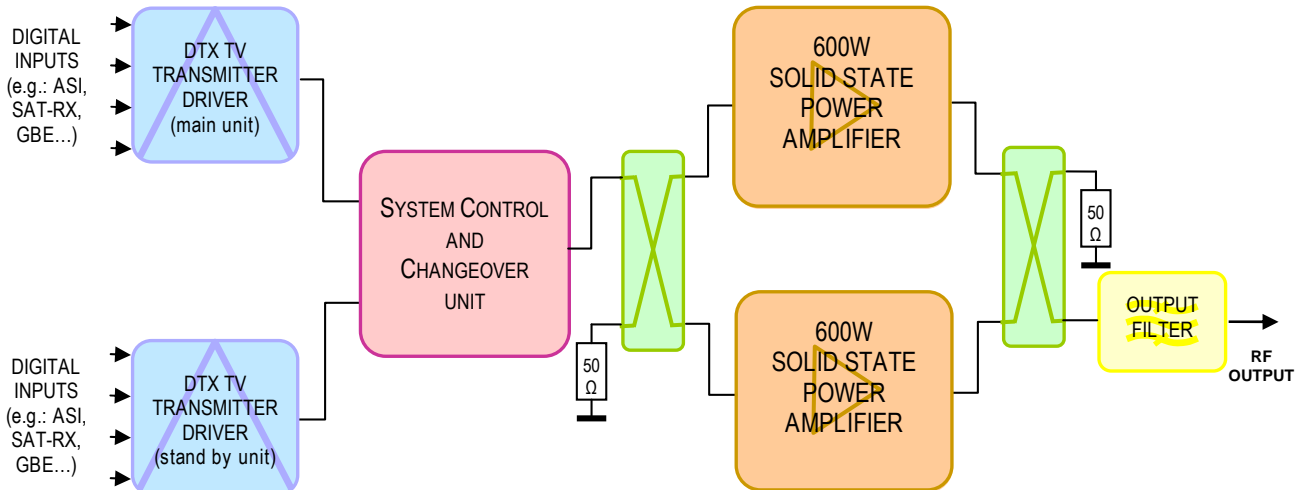
Amplifier 600W "A"

Amplifier 600W "B"

Mains switch



DTX 1000/V-DA-DD (DUAL DRIVER/DUAL AMPLIFIER) BLOCK DIAGRAM



DTX 1000/V-DA-DD Standard specification

GENERAL SPECIFICATIONS

Output frequency range:	VHF 175 to 230MHz in 1Hz steps
Output Power:	1000Wavg (tol. +0/-1dB)
Output connector:	Flange 7/8"
MER:	35dB (typ.; min. \geq 32dB)
Shoulders attenuation (before output filter):	38dB (typ.; min. \geq 36dB)
Housing:	Rack Cabinet 19" 25U
Power consumption:	\leq 8KVA (typ. ; 9.5KVA max)
Power supply:	400 Vac \pm 10% 50/60Hz three phases (different power supplies and tolerances available on request)

Note:

For standard specifications, and general description, please refer to the brochure DTX-TX series.
For TV transmitter driver technical specifications please refer to the brochure DTX 50 – 100/U except for output power and housing.

All specifications contained in this document may be changed without prior notice.