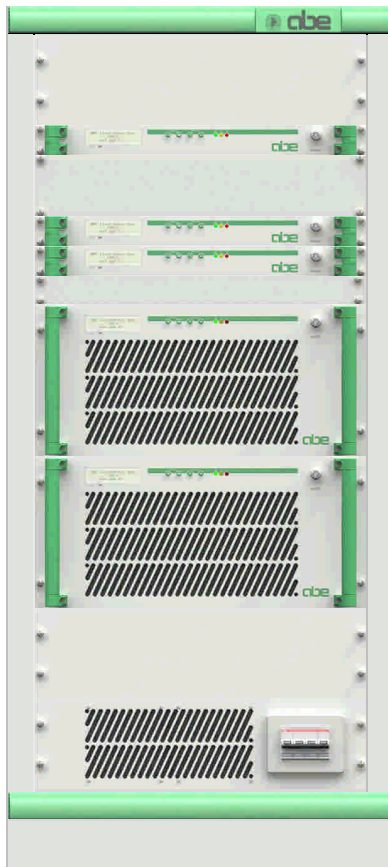




500W VHF DIGITAL TV TRANSMITTER



Output filter

System Control & Automatic Changeover

DTX - driver "A"

DTX - driver "B (standby unit)

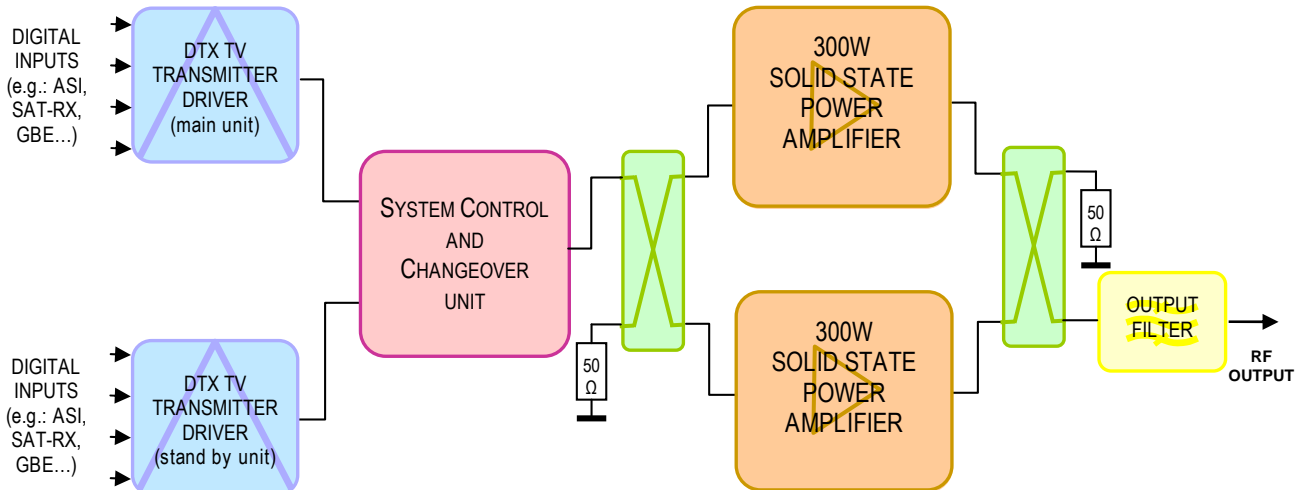
Amplifier 300W "A"

Amplifier 300W "B"

Mains switch



DTX 500/V-DA-DD (DUAL DRIVER/DUAL AMPLIFIER) BLOCK DIAGRAM



TX 500/V-DA-DD Standard specification

GENERAL SPECIFICATIONS

| | |
|---|---|
| Output frequency range: | VHF 175 to 230MHz in 1Hz steps |
| Output Power (before output filter): | 500Wavg (tol. +0/-1dB) |
| Output connector: | Flange 7/8" |
| MER: | 35dB (typ.; min. \geq 32dB) |
| Shoulders attenuation (before output filter): | 38dB (typ.; min. \geq 36dB) |
| Housing: | Rack Cabinet 19" 25U |
| Power consumption: | \leq 4KVA (typ. ; 5KVA max) |
| Power supply: | 230 Vac \pm 10% 50/60Hz single phase (different power supplies and tolerances avail-able on request) |

Note:

For standard specifications, and general description, please refer to the brochure DTX-TX series.
For TV transmitter driver technical specifications please refer to the brochure DTX 50 – 100/U except for output power and housing.

All specifications contained in this document may be changed without prior notice.